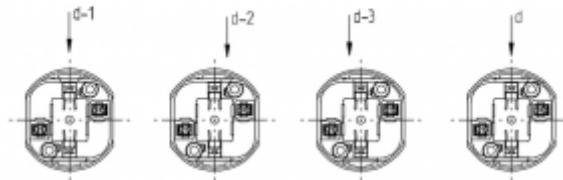
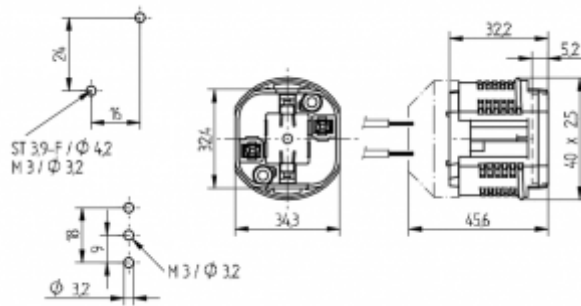


# Compact Fluorescent Lampholders

26.745.1311

G24 / GX24



color	pkg.	wt.	part no.
white	250	15 g	26.745.1311.50

Key: d-1 (10 / 13 Watt)

Approval: additional cULus

For lamps TC-D, TC-T

Screw mount

Einclipsbefestigung

Housing: PBT

- Threaded barrel
- Screw mount vertical, diagonal: two holes  $\phi$  3.2 mm
- Panel cut-out: 2 holes, distance 16 x 24 for self-tapping screws ISO 1481 - ST 3.9 - F
- Screw mount central, vertical: one hole  $\phi$  3.2 mm and 2 anti rotation slots
- Panel cut-out: three holes 2 x 9 = 18 mm for screws ISO 1207 - M3
- Rivet mount: we recommend blind rivet  $\phi$  3.0 mm according to DIN 7337 (Aluminium / Steel flat round head) max. pull force 500 N

T 140			
		18 AWG 0.5 - 1.0 mm <sup>2</sup>	18 AWG 0.5 - 1.0 mm <sup>2</sup>