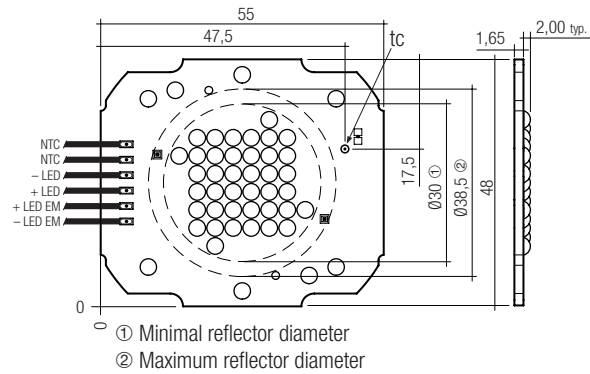




### TALEXmodule SPOT P340-3 EM TALEXmodule SPOT

#### Product description

- Combined LED module for general and emergency lighting
- Spotlights
- Downlights
- High-flux LED module
- Narrow colour temperature tolerance band
- Lifetime up to 50,000 hours
- Compact design
- Excellent thermal management<sup>①</sup>
- NTC for temperature control
- High-power LED in chip-on-board technology
- Beam characteristic: 140°
- Uniform distribution of light
- Fixing holes for M3 screws
- Connection: Cable 300 mm
- Built-in LED module
- Cooling required



#### Technical data

Beam characteristic	140°
Ambient temperature $t_a$	-30 ... +55 °C
Typ. $t_c$ point	65 °C
Weight	0.020 kg
Risk group (EN 62471:2008)	0



Standards, page 2

Colour temperatures and tolerances, page 6

#### Ordering data

Colour temperature	Type	Article number
3,000 K	LED P340-3 EM 3000K 55x48	89601435
4,000 K	LED P340-3 EM 4000K 55x48	89601436

Packaging: 20 pieces/packaging, 360 pieces/carton

#### Specific technical data

Type	Photometric code	Typ. luminous flux at 700 mA <sup>②</sup> ③	Typ. luminous flux at 1,050 mA <sup>②</sup> ③	Typ. luminous flux at 1,400 mA <sup>②</sup> ③	Typ. forward voltage <sup>②</sup> ③	Power consumption module	Typ. efficacy	Colour rendering index CRI
<b>Normal operation</b>								
LED P340-3 EM 3000K 55x48	830 / 5x8	–	2,680 lm	3,350 lm	38.4 V	40.3 W	66 lm/W	> 80
LED P340-3 EM 4000K 55x48	840 / 5x8	–	2,960 lm	3,680 lm	38.4 V	40.3 W	73 lm/W	> 80
<b>Emergency operation – 700 mA</b>								
LED P340-3 EM 3000K 55x48	830 / 5x8	300 lm	–	–	5.8 V	4.1 W	71 lm/W	> 80
LED P340-3 EM 4000K 55x48	840 / 5x8	330 lm	–	–	5.8 V	4.1 W	79 lm/W	> 80

All values for  $t_a = 65$  °C.

① If the maximum temperature limits are exceeded, the life of the module will be greatly reduced or the module may be damaged.  
The temperature of the TALEXmodule SPOT at the  $t_c$  point in the thermally stable state by mean of a temperature sensor or temperature-sensitive sticker as per EN 60598-1. For the precise position of the  $t_c$  point see the drawing above.

② At  $t_c = 65$  °C

③ Tolerance range for optical and electrical data:  $\pm 15$  %.

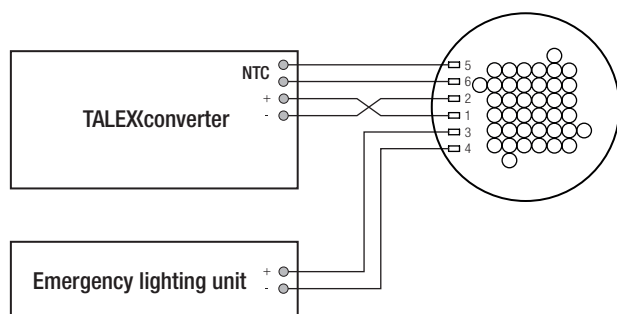
**Converter matrix – TALEX(module SPOT 340-3 EM**

REMOTE LCI										IN-BUILT LCI							
Type	LCI 050/1050 T020	LCI 055/1400 T020	LCI 050/1050 T020	LCI 055/1400 T020	LCI 050/1050 T020	LCI 055/1400 T020	LCI 050/1050 R010	LCI 055/1400 R010	LCI 050/1050 R010	LCI 055/1400 R010	LCI 050/1050 R010	LCI 055/1400 R010	LCI 050/1050 R010	LCI 055/1400 R010			
Art. No.	86459218	86459219	86459247	86459248	86459216	86459217	86459245	86459246									
Assignable converter										Assignable converter							
Type	Min.	Max.	Min.	Max.	Min.	Max.	Min.	Max.	Min.	Max.	Min.	Max.	Min.	Max.			
LED P340-3 EM 3000K 55x48	89601435	1	1	1	1	1	1	1	1	1	1	1	1	1			
LED P340-3 EM 4000K 55x48	89601436	1	1	1	1	1	1	1	1	1	1	1	1	1			

**Converter matrix – TALEX(module SPOT P340-3 EM in emergency operation**

Converter for emergency operation														
Type	EM powerLED 4 W BASIC screw-fix	EM powerLED 4 W BASIC clip-fix	EM powerLED 4 W ST screw-fix	EM powerLED 4 W ST clip-fix	EM powerLED 4 W PRO EZ-3 screw-fix	EM powerLED 4 W PRO EZ-3 clip-fix								
Article number	89800122	89800121	89800124	89800123	89800126	89800125								
Assignable converter														
Type	Min.	Max.	Min.	Max.	Min.	Max.	Min.	Max.	Min.	Max.	Min.	Max.	Min.	Max.
TALEX(module SPOT P340-3 EM	1	1	1	1	1	1	1	1	1	1	1	1	1	1

**Wiring diagram converter + Emergency lighting unit**



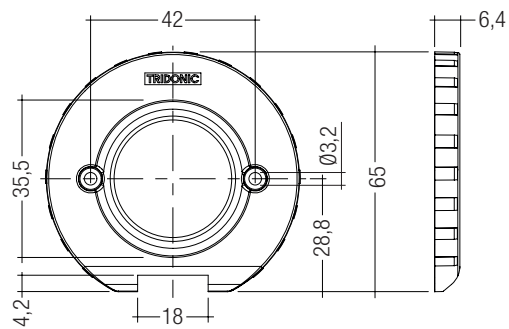
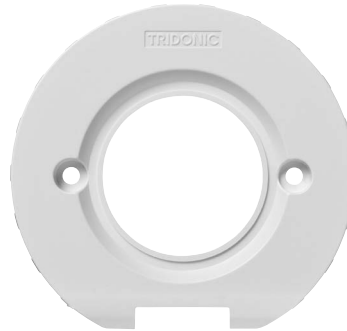
**Wiring**

Cable: AWG24; length 300 mm

pin	1	2	3	4	5	6
function	+ (LED)	- (LED)	+ (EM)	- (EM)	NTC (LED)	NTC (LED)
colour	red	black	red	black	grey	grey

**Product description**

- Housing for LED module
- Diameter: 65 mm
- Glow wire test acc. IEC 60695-2-11 at 960 °C passed



**Ordering data**

Type	Article number
P 340-3 EM LED cover white D65 LES 30 mm	88167488

Packaging: 10 pieces/packaging, 200 pieces/carton

**Standards**

EN 62031  
EN 62471

**Photometric code**

Key for photometric code, e. g. 830 / 559

1 <sup>st</sup> digit	2 <sup>nd</sup> + 3 <sup>rd</sup> digit	4 <sup>th</sup> digit	5 <sup>th</sup> digit	6 <sup>th</sup> digit	
Code	CRI	Colour temperature in Kelvin x 100	McAdams initial	McAdams after 25% of the lifetime (max.6000h)	Lumen maintenance after 25% of the lifetime (max.6000h)
7	67 – 76			Code	Remaining lumen
8	77 – 86			7	≥ 70 %
9	87 – ≥90			8	≥ 80 %
			9	≥ 90 %	

**Thermal design and heat sink**

The rated life of TALEX products depends to a large extent on the temperature. If the permissible temperature limits are exceeded, the life of the TALEXmodule SPOT will be greatly reduced or the TALEXmodule SPOT may be destroyed.

Therefore the TALEXmodule SPOT P340-3 EM needs to be mounted onto a heat sink.

Tridonic's excellent thermal design for the TALEXmodule SPOT products provides the lowest thermal resistance and therefore allowing new compact designs without sacrificing quality, safety and life time.

**tc point, ambient temperature and lifetime**

The temperature at tc reference point is crucial for the light output and life time of a TALEX product.

For TALEXmodule SPOT P340-3 EM a tc temperature of 65 °C has to be complied in order to achieve an optimum between heat sink requirements, light output and life time.

Compliance with the maximum permissible reference temperature at the tc point must be checked under operating conditions in a thermally stable state. The maximum value must be determined under worst-case conditions for the relevant application.

**Mounting instruction**



TALEXmodule SPOT from Tridonic which have to be installed on a heat sink have to be connected with heat-conducting paste or heat conducting adhesive film and fixed with M3 screws with plastic washer.

The fixing/cooling surface must be cleaned before installing the TALEX modules to remove all dirt, dust and grease.

None of the components of the TALEXmodule SPOT (substrate, LED, electronic components etc.) may be exposed to tensile or compressive stresses.

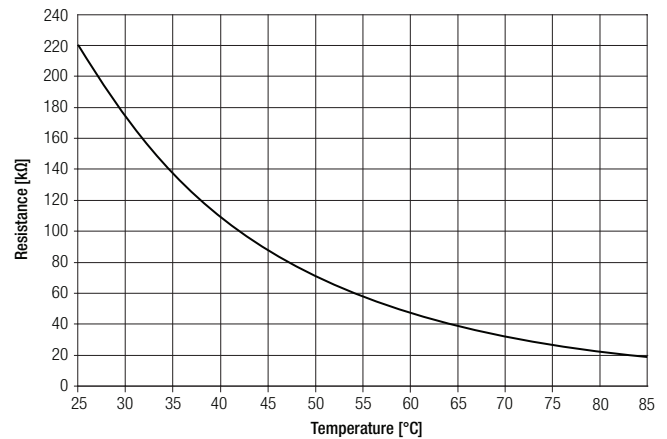


**EOS/ESD safety guidelines**

The device / module contains components that are sensitive to electrostatic discharge and may only be installed in the factory and on site if appropriate EOS/ESD protection measures have been taken. No special measures need be taken for devices/modules with enclosed casings (contact with the pc board not possible), just normal installation practice. Please note the requirements set out in the document EOS / ESD guidelines (Guideline\_EOS\_ESD.pdf) at: <http://www.tridonic.com/com/en/technical-docs.asp>

**Temperature control**

An NTC resistor is on the board of the TALEXmodule SPOT P340-3 EM to control the tc temperature during the operation with a resistor value of 220 kΩ.



**Typical heat sink surface**

**TALEXmodule SPOT P340-3 EM, 1,050 mA**

ta	tc	Rth, hs-a
25 °C	65 °C	0.96 K/W
30 °C	65 °C	0.82 K/W
40 °C	65 °C	0.54 K/W
50 °C	65 °C	0.25 K/W

**TALEXmodule SPOT P340-3 EM, 1,400 mA**

ta	tc	Rth, hs-a
25 °C	65 °C	0.68 K/W
30 °C	65 °C	0.57 K/W
40 °C	65 °C	0.36 K/W
50 °C	65 °C	0.15 K/W

**Notes**

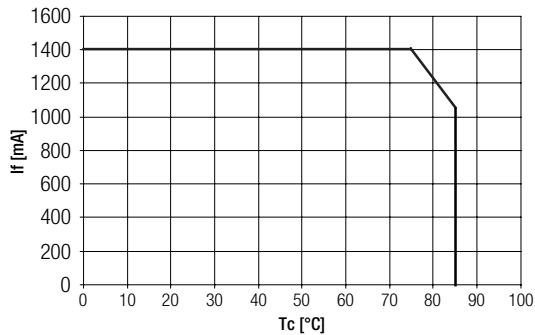
The actual cooling surface can differ because of the material, the structural shape, outside influences and the installation situation. A thermal connection between TALEXmodule SPOT and heat sink with heat-conducting paste or heat conducting adhesive film is absolutely necessary.

**Thermal behaviour**

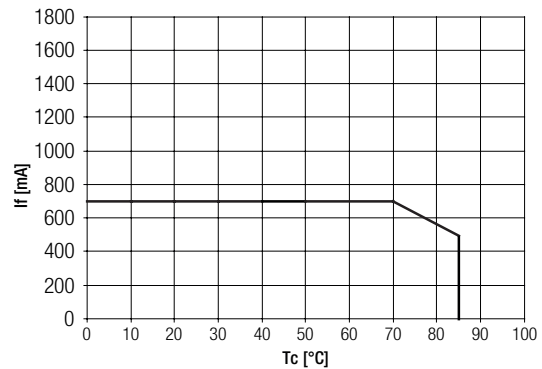
storage temperature	-30...85 °C
operating temperature	-30...55 °C
tc max. (at typ. current)	85 °C
max. humidity	0...80 %

The LED module have to be within the specified operating temperature range (ta) before they can be operated.

**Normal operation Pin 1&2**



**Emergency operation Pin 3&4**



**Lumen maintenance**

tc temperature in °C	luminous flux in %	operating time in h
25	80	60,000
	70	81,000
	50	132,000
45	80	44,000
	70	64,000
	50	110,000
65	80	32,000
	70	50,000
	50	91,000
75	80	25,000
	70	41,000
	50	81,000

**Electrical supply/choice of converter**

TALEXmodule SPOT from Tridonic are not protected against overvoltages, overcurrents, overloads or short-circuit currents. Safe and reliable operation can only be guaranteed in conjunction with a converter which complies with the relevant standards. The use of TALEX converters from Tridonic in combination with TALEXmodule SPOT guarantees the necessary protection for safe and reliable operation.

If a converter other than Tridonic TALEXconverter is used, it must provide the following protection:

- Short-circuit protection
- Overload protection
- Overtemperature protection

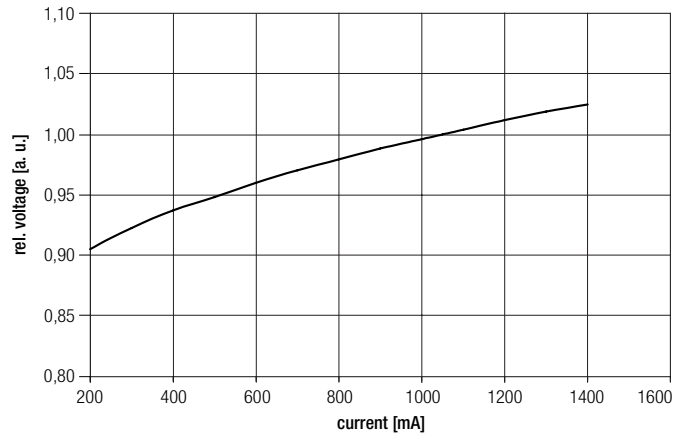


TALEXmodule SPOT P340-3 EM must be supplied by a constant current converter.

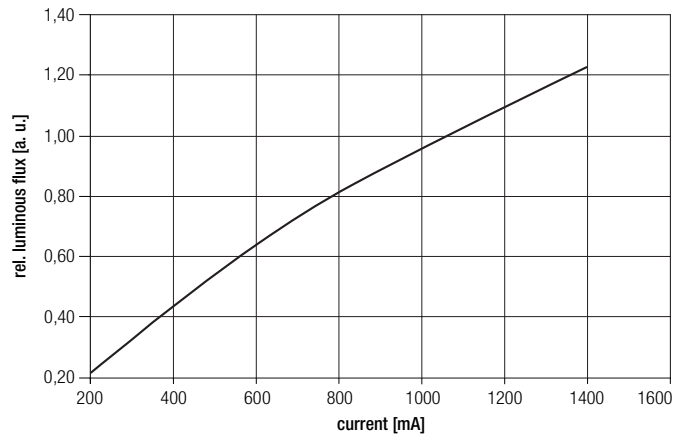
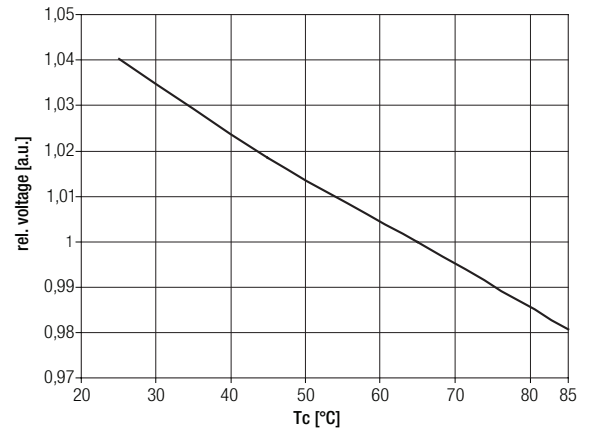
Operation with a constant voltage converter will lead to an irreversible damage of the module.

Wrong polarity can damage the TALEXmodule SPOT P340-3 EM.

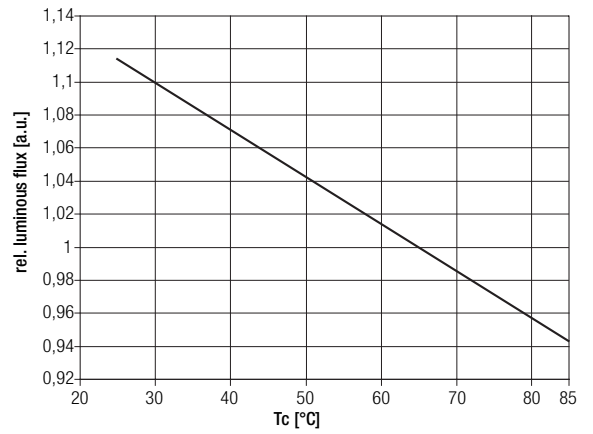
Relative forward voltage and relative luminous flux in normal operation



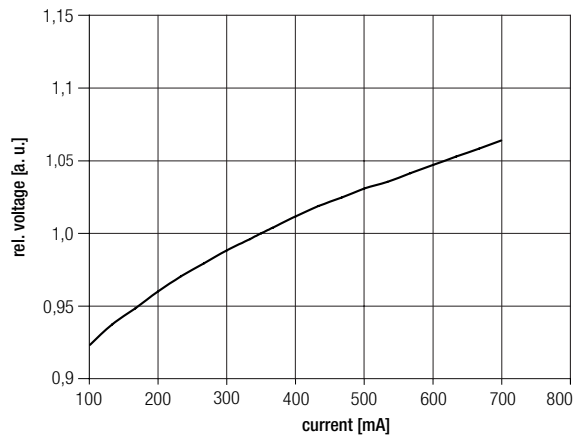
— Relative forward voltage at Tc = 65 °C



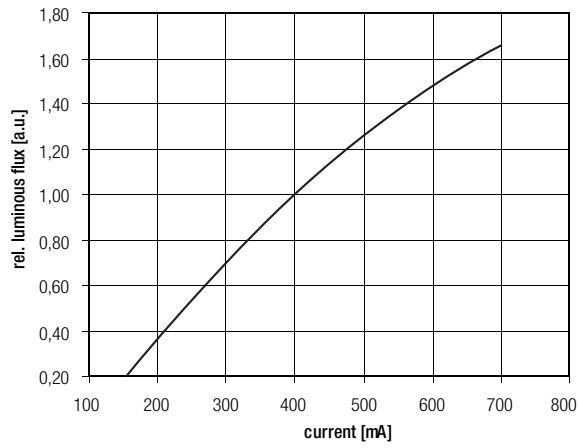
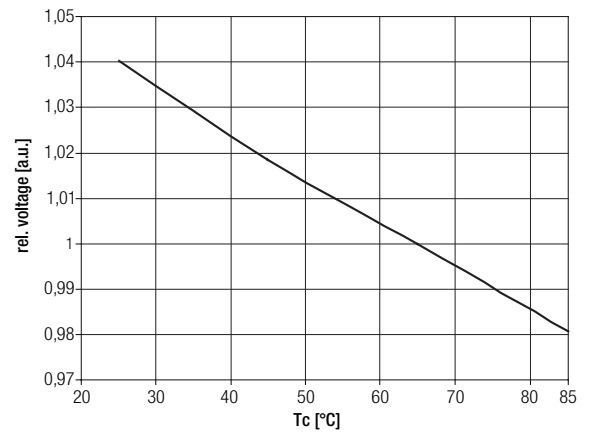
— Relative luminous flux at Tc = 65 °C



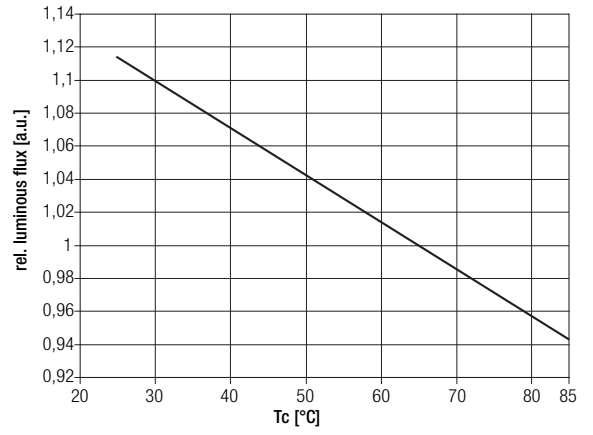
Relative forward voltage and relative luminous flux in emergency operation



— Relative forward voltage at  $t_c = 65\text{ °C}$



— Relative luminous flux at  $t_c = 65\text{ °C}$

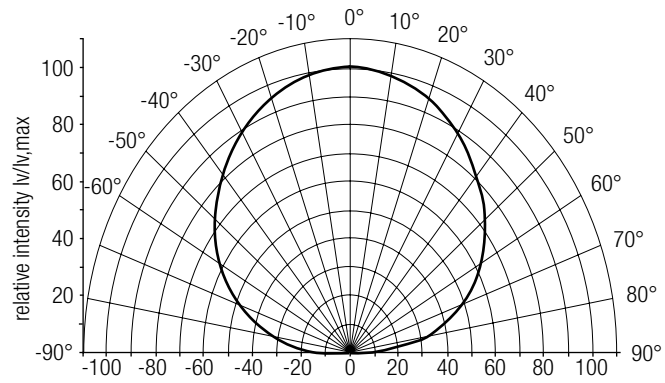


The diagrams based on statistic values.  
The real values can be different.

### Optical characteristics TALEX(module SPOT P340-3 EM

The optical design of the TALEX(module SPOT product line ensures optimum homogeneity for the light distribution.

### TALEX(module SPOT P340-3 EM 140°: Light distribution



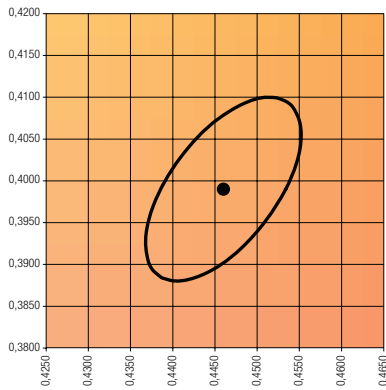


**Coordinates and tolerances according to CIE 1964**

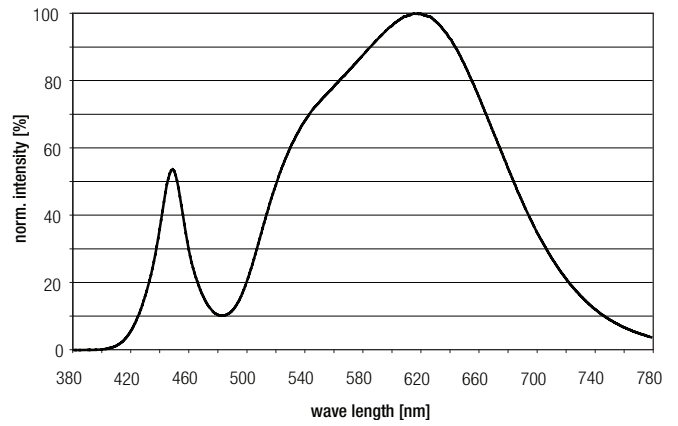
The specified colour coordinates are measured by a current impulse of 1,050 mA and a duration of 100 ms.  
The ambient temperature of the measurement is  $t_a = 25\text{ }^\circ\text{C}$ .  
The measurement tolerance of the colour coordinates are  $\pm 0.01$ .

**3,000 K**

	x0	y0
Centre	0,4460	0,3990

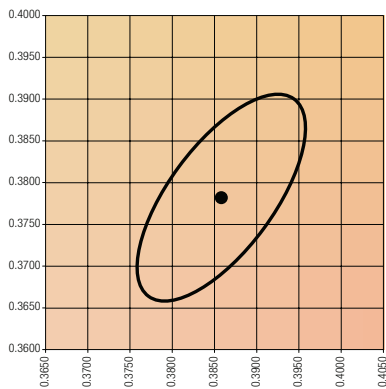


MacAdam ellipse: 4SDCM



**4,000 K**

	x0	y0
Centre	0,3860	0,3780



MacAdam ellipse: 4SDCM

